

# Klystron – Cathode Pulsed

## L5782

The L5782 is a tunable cavity, cathode pulsed klystron amplifier which operates over the frequency range 2.7-3.0 GHz with power output of 0.5 to 1.8 Mw peak. Focusing is by electromagnet. Cooling is by forced air. DS57821102

### Specifications

| Performance Characteristics |                |
|-----------------------------|----------------|
| Item                        | Description    |
| Frequency Range             | 2.7 to 3.0 GHz |
| Instantaneous Bandwidth     | 15 MHz         |
| Peak Output Power           | 1.5 MW         |
| Power Input (max)           | 7.5 W          |
| Duty (RF)                   | 0.16%          |
| Duty (video)                | 0.22%          |
| Gain                        | 115 A          |
| Pulse Width (max)           | 6μs            |

| Typical Operating Conditions       |                                |
|------------------------------------|--------------------------------|
| Beam Voltage                       | 79 KV                          |
| Beam Current                       | 40 to 47 A                     |
| Beam Power (max.)                  | 6.6 KW                         |
| Heater Voltage                     | 5.0 to 7.0 V                   |
| Heater Current                     | 20 to 32 A                     |
| Cooling Air                        | 160 cfm                        |
| Waveguide Pressure (min) Freon -12 | 2 psig                         |
| ION Pump Voltage                   | 3 KV                           |
| Focusing Magnet                    | Ogallala 4IC2081 or Equivalent |
| Focusing Magnet Voltage (max.)     | 100 V                          |
| Focusing Magnet Current (max.)     | 25 A                           |

### Key Features

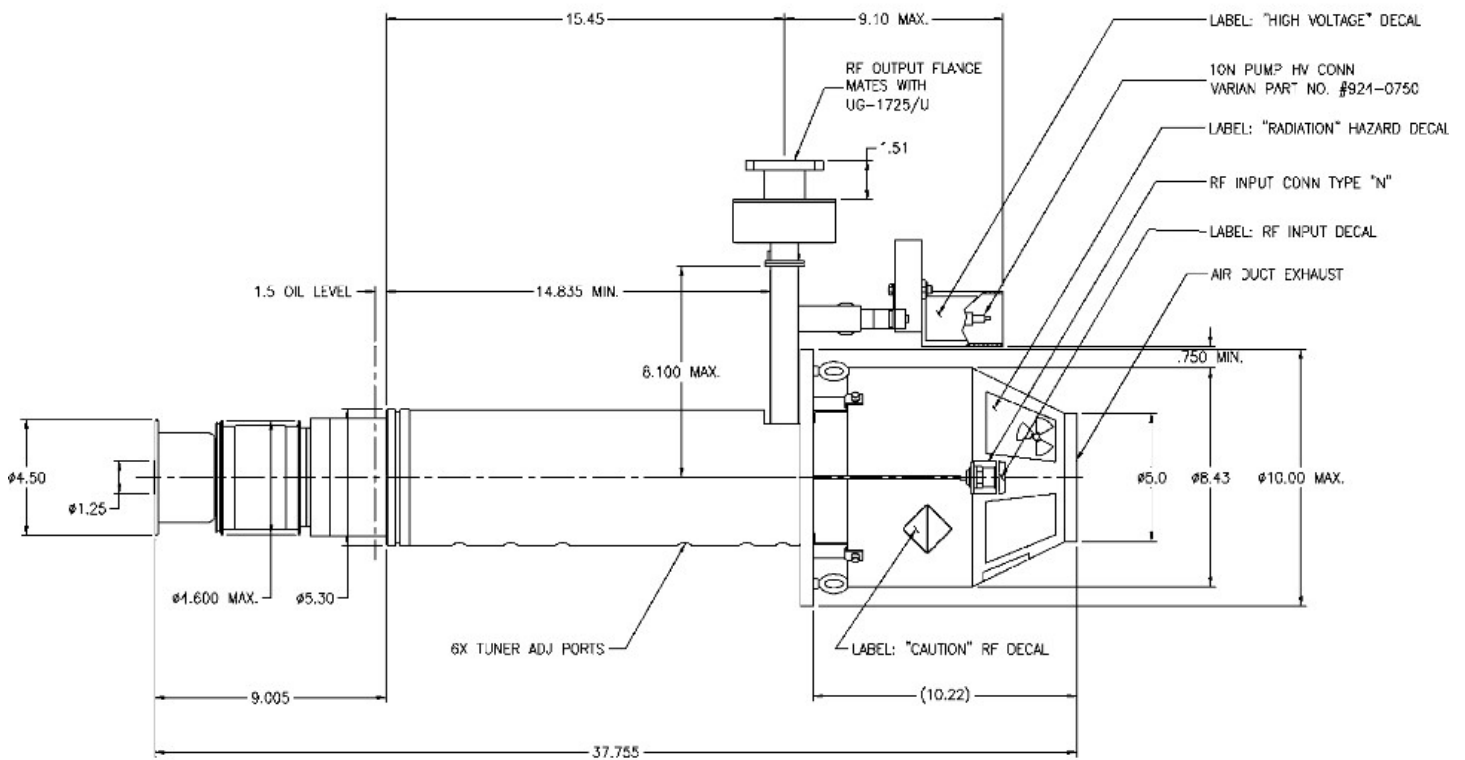
- \* **2.7-3.0 GHz**
- \* **1.5 Mw**
- \* **53 dB Gain**
- \* **Air Cooled**

| Mechanical Description     |                                  |
|----------------------------|----------------------------------|
| Item                       | Description                      |
| Dimensions                 | 36 X 10 X 17 inches              |
| Weight                     | 90 lbs.                          |
| Focusing Solenoid          | Will advise                      |
| Mounting Position          | Any                              |
| Solenoid Weight            | 300 lbs.                         |
| RF Input Connector         | Type N                           |
| RF Output                  | Mates with UG-1725/u             |
| Heater & Cathode Connector | Socket pads                      |
| Tuner Torque (max.)        | 200 oz.-in.                      |
| Coolant Connectors         | See Outline Drawing on next page |

# Klystron – Cathode Pulsed

## L5782

### Outline Drawing



**Stellant Systems** is a partner for civil, military, and commercial organizations whose missions seek to ensure a safe, aware, and connected world.

We are a premier manufacturer of critical spectrum and power amplification systems for defense, space, medical and industrial customers worldwide.

[www.StellantSystems.com](http://www.StellantSystems.com)

#### Headquarters

3100 Lomita Blvd.  
Torrance, California 90505  
T: 310.517.6000  
info@stellantsystems.com

1035 Westminster Dr.  
Williamsport, Pennsylvania 17701  
T: 570.326.3561

107 Woodmere Rd.  
Folsom, California 95630  
T: 916-351-4500

This document consists of general capabilities information that is not defined as controlled technical data under ITAR Part 120.10 or EAR Part 772. Data including specifications, contained within this document are summary in nature and subject to change at any time without notice at Stellant's discretion.