

Hydrogen Filled Thyatron L4022

The L4022 is a ceramic/metal, double high voltage gap, thyatron capable of switching peak power levels to 250 Megawatts and average power levels to 175 Kilowatts. Thyatron is suitable for conventional line type modulator applications.

Maximum Ratings	
Peak Anode Voltage (epy)	55 kV
Peak Anode Current (ib)	15,000 A
Average Anode Current (Ib)	8.0 ADC
RMS Anode Current (Ip)*	215 ARMS
Anode Current Rate of Rise (dib/dt)	25,000 A/μs
Anode Delay Time (tad)	0.4 μs
Time Jitter (tj)	0.010 μs
Ambient Temp	-40° to 75°+ C

Ancillary Supplies	NOM	MIN.	MAX.	UNITS
Peak Control Grid Voltage (egy)	---	1,200	2,500	V
Control Grid Voltage Pulse Width (tp)	2	1	---	μs
Control Grid Voltage Rise Time (tr)	---	---	0.35	μs
Control Grid Source Drive Impedance (Zg)	---	---	50	Ω
Negative Control Grid Bias (Ecc)	0	---	-100	VDC
Auxiliary Grid Voltage	---	150	300	VDC
Auxiliary Grid Current	---	200	500	mADC
Heater Voltage (Ef)	6.3	6.0	6.6	VAC/VDC
Heater Current at 6.3 V (If)	---	---	75	AAC/ADC
Reservoir Voltage (Eres)	---	3.0	5.5	VAC/VDC
Reservoir Current at 4.5 V (Ires)	---	---	30	AAC/ADC
Warm-up Time (tk)	---	15	---	Min.

* The root mean square anode current shall be computed as the square root of the product of peak current and average current, $(ib \times Ib)^{0.5}$.

* Specifications are subject to change without notice.

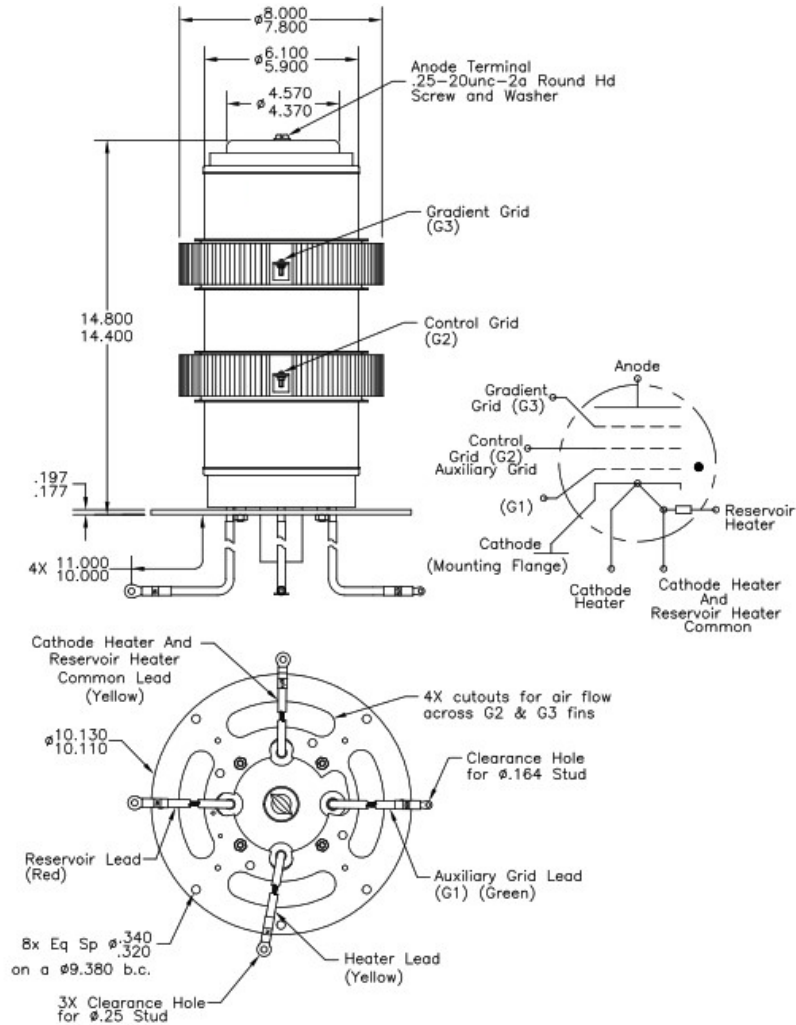


KEY FEATURES

- * Mounting flange slotted for forced air cooling
- * Incorporated large capacity TiH reservoir maintains gas pressure

Hydrogen Filled Thyatron L4022

L4022 Outline (inches)



Detailed outline drawings are available on request. Specifications and features are subject to change without notice.

Stellant Systems is a partner for civil, military, and commercial organizations whose missions seek to ensure a safe, aware, and connected world. We are a premier manufacturer of critical spectrum and power amplification systems for defense, space, medical & scientific and industrial customers worldwide.

www.StellantSystems.com



Headquarters

3100 Lomita Blvd.
Torrance, California 90505
T: 310-517-6000
info@stellantsystems.com

1035 Westminster Dr.
Williamsport, Pennsylvania 17701
T: 570-326-3561

107 Woodmere Rd.
Folsom, California 95630
T: 916-351-4500

