

Hydrogen Filled Thyatron

L4022

The L4022 is a ceramic/metal, double-high voltage gap, thyatron capable of switching peak power levels to 250 megawatts and average power levels to 175 kilowatts. Thyatron is suitable for conventional line type modulator applications.

KEY FEATURES

- Mounting flange slotted for forced air cooling
- Incorporated large capacity TiH reservoir maintains gas pressure



SPECIFICATIONS

Maximum Ratings	
Peak Anode Voltage (epy)	55 kV
Peak Anode Current (ib)	15,000 A
Average Anode Current (Ib)	8.0 ADC
RMS Anode Current (Ip)*	215 ARMS
Anode Current Rate of Rise (dib/dt)	25,000 A/μs
Anode Delay Time (tad)	0.4 μs
Time Jitter (tj)	0.010 μs
Ambient Temp	-40°C to +75°C

*The root mean square anode current shall be computed as the square root of the product of peak current and average current (ib x Ib)^{0.5}

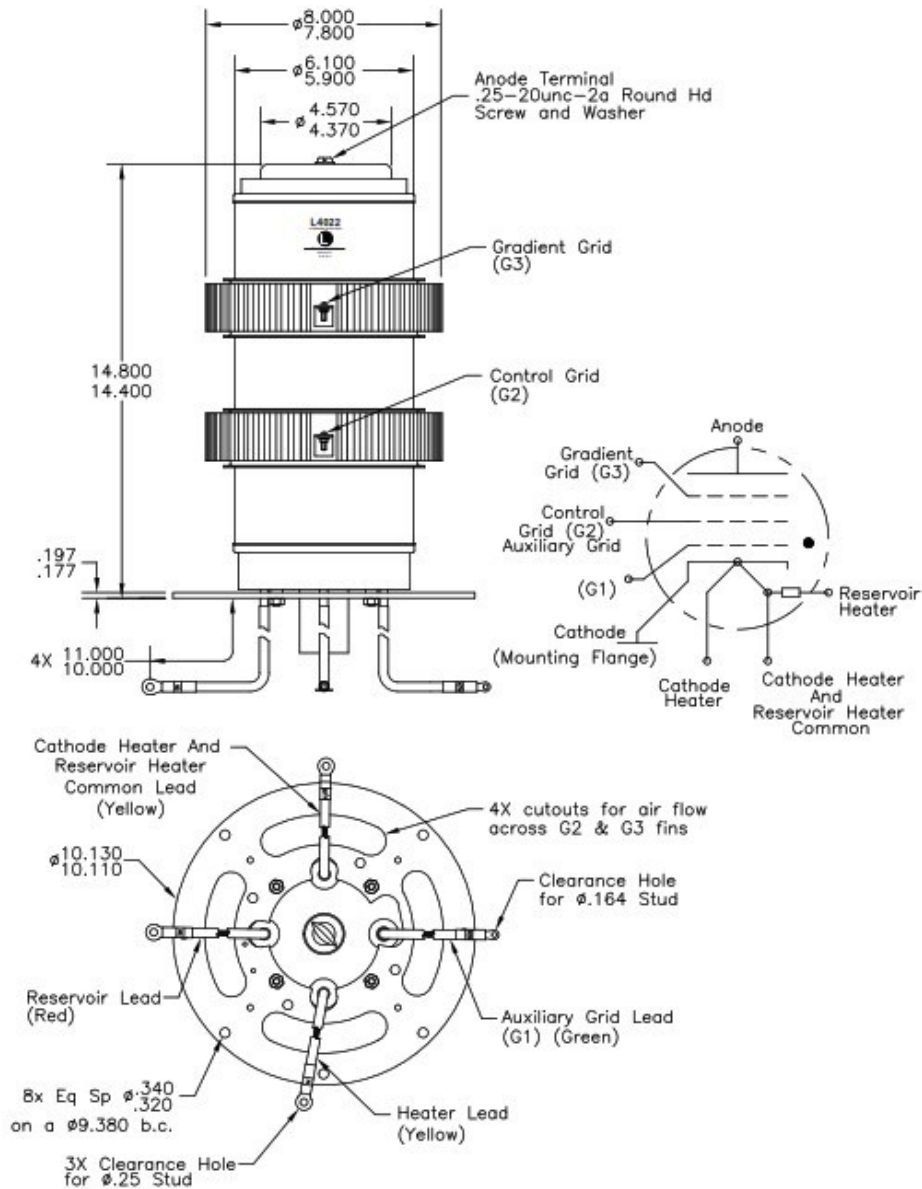
*Specifications are subject to change without notice

Ancillary Supplies	Nom	Min	Max	Units
Peak Control Grid Voltage (egy)	-	1,200	2,500	V
Control Grid Voltage Pulse Width (tp)	2	1	-	μs
Control Grid Voltage Rise Time (tr)	-	-	0.35	μs
Control Grid Source Drive Impedance (Zg)	-	-	50	Ω
Negative Control Grid Bias (Ecc)	0	-	-100	VDC
Auxiliary Grid Voltage	-	150	300	VDC
Auxiliary Grid Current	-	200	500	mADC
Heater Voltage (Ef)	6.3	6.0	6.6	VAC/VDC
Heater Current at 6.3 V (If)	-	-	75	AAC/ADC
Reservoir Voltage (Eres)	-	3.0	5.5	VAC/VDC
Reservoir Current at 4.5 V (Ires)	-	-	30	AAC/ADC
Warm-up Time (tk)	-	15	-	Min.

Hydrogen Filled Thyratron

L4022

Outline Drawing (inches)



Detailed outline drawings are available on request. Specifications and features are subject to change without notice.




Headquarters

3100 Lomita Blvd
Torrance, CA 90505
T: 310-517-6000

Williamsport, PA

1035 Westminster Dr.
Williamsport, PA 17701
T: 570-326-3561



StellantSystems.com   
Sales-PST@stellantsystems.com
info@stellantsystems.com